

MAGNETIC LINEAR LIGHT

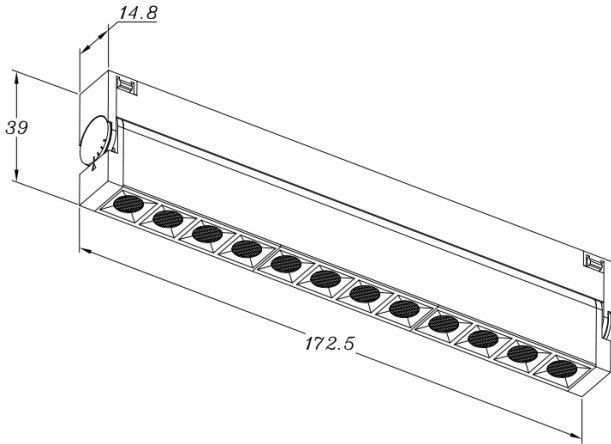
TECHNICAL SHEET
SV-DDT-172



KEYLIGHT

SPAIN
PRODUCTOS DE ILUMINACION

DRAWING



SPECIFICATIONS

Product Code	SV-DDT-172
Input Current	48VDC
Chip	SMD
Beam Angle	50°
Power	5W
Total Light output(lm)	300 lm
Efficacy(lm/W)	60 lm/w
Operating temperature range	-20 to +40
Color Temperature	3000/4000/6000k
Installation	Magnetic attraction
IP Rating	IP20
Dimensions	173mm*14.8mm*39mm
Warranty	5 Years